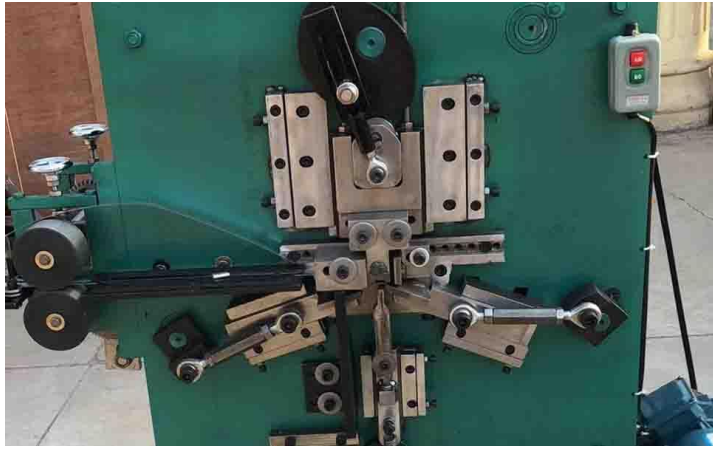


CATALOGUE FOR SNAP-ON SEAL MACHINE

STEEL STRAP SNAP-ON SEAL 19 MM MACHINE

Machine Name	Seal machine	CE CERTIFICATION NO.:	M.2019.206.C2559
Model No.	FR-1	CE REPORT NO.:	TCF no. MICEZ-1903-0265-MD+LVD



CE COVER PAGE

ATTESTATION OF COMPLIANCE

Reference No: TTC-23-2403/05/01

Applicant: WENZHOU CHANGS INTERNATIONAL.
Room 604, Fujia Building, Yulinjia, Lucheng, Wenzhou, Zhejiang, China.

Manufacturer: WENZHOU CHANGS INTERNATIONAL.
Room 604, Fujia Building, Yulinjia, Lucheng, Wenzhou, Zhejiang, China.

Product: SEAL MACHINE.

Type/Model: FR-1, FR-2, FR-3, FR-4, FR-5, P-13, P-16, P-19, P-25, P-32, P-131619, P-19 32.

Reference Directive(s): 2006/42/EC MD (Machinery Directive).
2014/35/EU LVD (Low Voltage Directive).
2014/30/EU EMC (Electromagnetic Compatibility).

Reference Standard(s): EN ISO 12100:2011, EN 60204-1:2018, EN IEC 61000-6-1:2016, EN IEC 61000-6-2:2019.

Base of attestation: File of technical documentation TRC-23-2403/05/01

Issue Date: 24.03.2023 Expiry Date: 24.03.2028

Integra96, has inspected and compliance determined, the documentation presented concerning the product (seal machine), whose name and address mentioned above according to the reference directive and/or reference standards. Suitability of product and documentation to the directly mentioned above, when the company fulfills conditions of other directives and standards, then it can attest the product and standards which a conformity declaration. This attestation has been issued as per company's request. This attestation does not constitute a compulsory obligation of the manufacturer to issue the declaration of conformity.

Conide TAHR
INTEGRA96 Belgelendirme
IZMIR, (revizyon) <24.03.2023>

TEORAR ULUSLARARASI URUN VE SİSTEM BELGELENDİRME, ÖLÇÜLÜ DENETİM, GÖZETİM VE EĞİTİM HİZMETLERİ LTD. ŞTİ.
14060. Mahatma Mustafa Kemal Paşa Caddesi / İZMİR / TÜRKİYE
+90 232 462 20 51 Fax: +90 232 462 20 61 info@integra96.com www.integra96.com

INTEGRA96

Technical data	seal size			
	Seal	W	L	T

	SNAP-ON SEAL 19	19 mm 3/4' inch	30 mm	0.6 mm		
	Feeding L	260-400 mm				
	Production rate	60-90 PC/MINUTE				
	Motor power	1.1 kw				
	Voltage plans	V		Phase	HZ	
	A plan	380		3	60	
	B plan	220		3	60	
Technical data	C plan	220		Single phase		
Accessories	Cutter of Spring Steel: 3 pieces					
	Core-plates parts 2 pieces. for each size of 13 16 and 19 mm					

Counter for controlling quantities of each carton in production, which save the labor from counting manually after production



automatic counter can also stops at each 10000 pieces for technician check

Optional selection of steel coil un-coiler



compact un-coiler for 200 kg load of coils



heavy-duty un-coiler for over 800 kg load of coils

Net Weight	600KG
Gross Weight	620
Machine Size	1400x680x1200
Packing Size	2.64 m2

Packing box with plywood
for international import &
export



EC DECLARATION OF CONFORMITY:

EC declaration of conformity

EC DECLARATION OF CONFORMITY

HOLDER

WENZHOU CHANGS INTERNATIONAL
ROOM 604, FUJIA BUILDING, YULINJIA, LUCHENG, WENZHOU, ZHEJIANG, CHINA

HEREBY DECLARES THAT THE PRODUCT DESCRIBED BELOW:

PRODUCT NAME: SEAL MACHINE

MODEL: FR-1, FR-2, FR-3, FR-4, FR-5, P-13, P-16, P-19, P-25, P-32, P-131619, P-19 32

SERIAL NUMBER: 2023032424591

MANUFACTURING YEAR: 2023

**HAS BEEN DESIGNED AND MANUFACTURED IN COMPLIANCE WITH THE FOLLOWING EUROPEAN DIRECTIVES:
EMC+MD+LVD**

EUROPEAN HARMONIZED STANDARDS COMPLIED:

EN ISO 12100:2010 , EN 60204-1:2018 , EN IEC 61000-6-3:2021 ,
EN IEC 61000-6-1:2019, EN IEC 61000-6-2:2019

DONE AT
(PLACE):
ZHEJIANG, CHINA



ON (DATE): 2023-03-01

NAME OF THE
SIGNATORY



TITLE:
GENERAL
MANAGER

SIGNATURE AND STAMP: _____

Certified models

- FR-1 (Automatic 32 Seal machine)
- FR-2 (Automatic 32 Seal with logo machine)
- FR-3 (PET seal machine)
- FR-4 (PP seal machine)
- FR-5 (semi-automatic 32 seal machine)
- P-13 (13 Wire seal machine)
- P-16 (16 Wire seal machine)
- P-19 (19 Wire seal machine)
- P-25 (25 Wire seal machine)
- P-32 (32 Wire seal machine)
- P-131619 (PP strap open seal machine)
- P-19 32 (19 and 32 steel strapping seal machine)

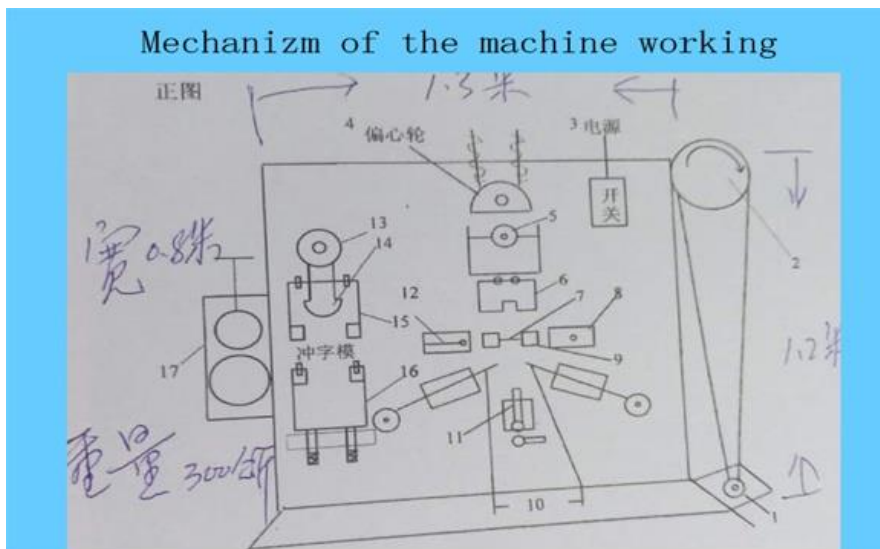
Machine working principles:

Machine working mechanism

The machine is designed to run automatically without using punching machine and mold and the steel coil material feeding does not need feeder to drive forward because the rollers can feed the steel coil forward simultaneously with each movement of seal forming

All the forming processes are driven by cam wheels which drive the stroke vertically and horizontally which greatly save the labor and time with less cost than before by punch machine and mold

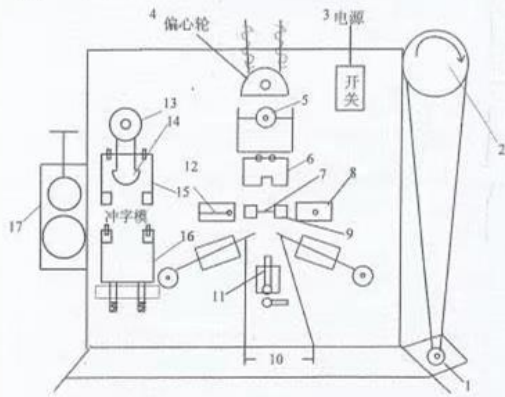
At the back side of the seal the logo designed by customers can be formed at the same time of production with a separate device for logo device to form the logo part while the roller moving ahead.



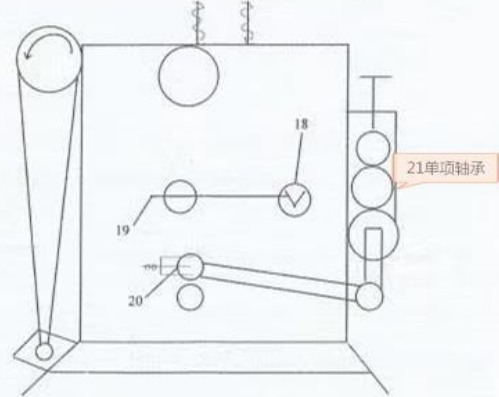
Main parts of the machine

Spare parts list for the steel strapping seal machine
全自动钢带冲字打扣机使用说明书

正图 Front view



背图 Back view



- | | | | |
|--------------------------------|----------|--------------------|---------------------|
| 1、双槽可调加快皮带轮转速。电机功率 1.1 千瓦三相式两相 | 6、切刀成型模具 | 11、顶心键 | 16、倒柱模具下字模(或下料调节平台) |
| 2、机器转动方向轮 | 7、机芯 | 12、剪刀口 | 17、送料对滚 |
| 3、电源开关 | 8、送料限位 | 13、冲字轴承和偏心 | 18、退料三角调整时间 |
| 4、偏心轮 | 9、退扣方键 | 14、冲字和尚头立杆球头(或冲刺针) | 19、退料拐杆 |
| 5、滚针轴承 | 10、小铲 | 15、倒柱模具上字模(或上刺模) | 20、送料长短调节螺丝杆 |

- | | | | |
|------------------------|--------------------|--|-------------------------------------|
| 1 Double groove pulley | 6. Cutter mold | 11. Top core key | 15. the embossing mold device upper |
| 2. Large wheel pulley | 7. core plate | 12. Scissors mouth | 16. The embossing mold device lower |
| 3 Power switch | 8. Feeding limit | 13. Punching bearing and eccentric sleeve for embossing device | 17. Feeding pairing rollers |
| 4. Eccentric | 9. exit square key | 14. embossing punch pin | 18. Stripper triangle adjustment |
| 5. Needle bearing | 10. Small shovel | 15. the embossing mold device upper | 19 The stripper rod |
| | | 16. The embossing mold device lower | 20. Feeding length adjustment screw |
| | | 17. Feeding pairing rollers | 21. Single clutch bearing |

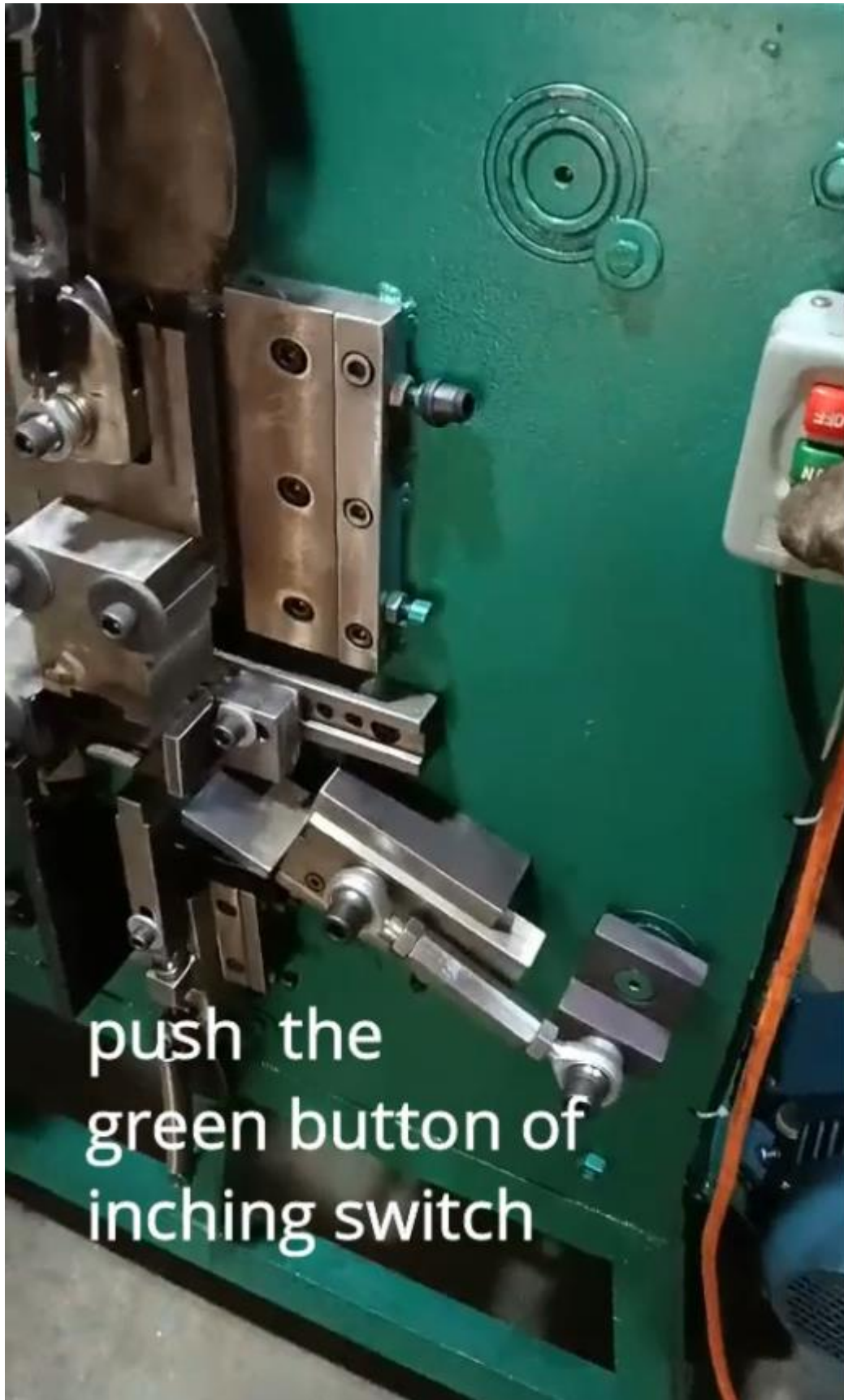
How to start the machine

first put the steel strip into the machine



put the steel strip into
the the pass between
the fixing rollers

second push the button



third the machine pulls the steel strip and form the steel clip



fourth the machine makes the seal



fifth finally complete the process of making a seal